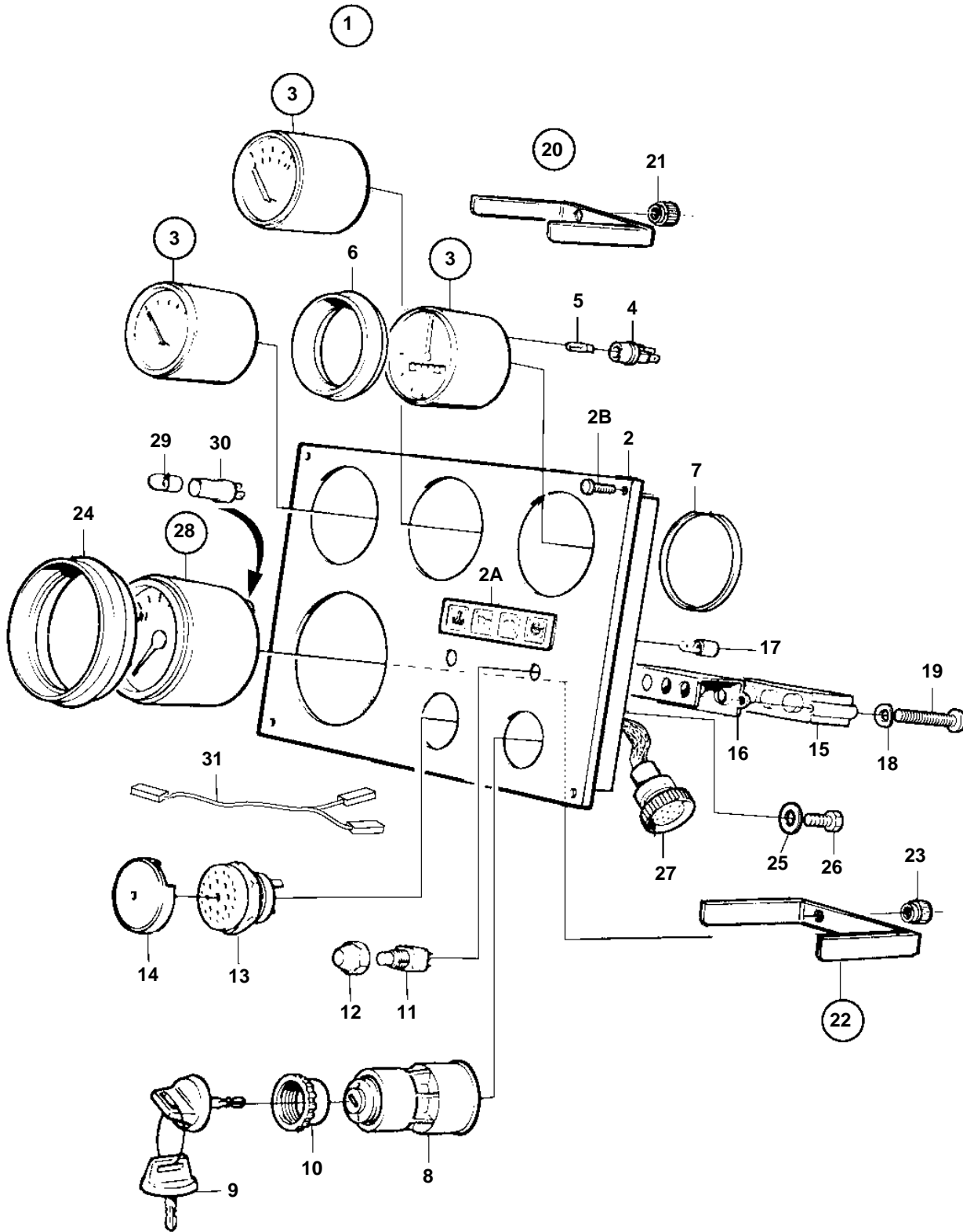


D12D-A MH, D12C-A MP



D12D-A MH, D12C-A MP

REF	PART NO.	QTY	DESCRIPTION	SEE SEC.	NOTES
1	3587075	1	Instrument panel		(873591)
2	860182	1	· Instrument panel		
2A	858645	1	· Symbol strip		
2B	828647	4	· Screw		
3	873196	1	· Thermometer		
	873198	1	· Oil pressure gauge		
	873200	1	· Voltmeter		
4	863945	3	· · Lamp socket		
5	863947	3	· · Bulb		
6	858643	3	· Front ring		D=52mm
7	828803	3	· Guide ring		
8	3587072	1	· Starter switch		(864277)
9	859953	2	· · Key		State key code when ordering.
			· Bulletin 49-30	49-30-EN	Key P/N 859953
10	859955	1	· · Plastic nut		
11	828584	1	· Toggle switch		TEST ALARM
	828585	1	· Toggle switch		INSTR. LIGHT
12	828586	2	· Nut		
13	3817974	1	· Alarm		(828587)
14	858795	1	· Protecting casing		
15	873737	1	· Electronic unit		(873209)
16	828784	1	· Reflector		
17	828818	4	· Bulb		24V
18	941904	2	· Spring washer		
19	941615	2	· Cross recessed screw		
20	873207	3	· Brace kit		
21		6	· · Nut		
22	873208	1	· Brace kit		
23		2	· · Nut		
24	873517	1	· Ring		D=72mm
25	941904	1	· Spring washer		
26	949947	1	· Cross recessed screw		
27	828646	1	· Cable trunk		
28	874496	1	Tachometer kit		2600 RPM, (873995)
29	863947	1	· Bulb		24V, 1,2W
30	863945	1	· Lamp socket		
31		1	Cable kit		